

Protistor® size 122 aR

2000VDC

SEMICONDUCTOR PROTECTION FUSES

SQUARE BODY HIGH-SPEED FUSE-LINKS DC PROTECTION



Mersen DC offers provide a very high performing protection for railway power circuits. Mersen DC Semiconductor fuse-links were developed to provide improved performance required by today's new DC equipment. These fuse-links are typically operated in extreme environment more than other fuse type, have lower I²t to minimize damage to protected components on short circuits, lower watts loss and longer life time.

TECHNICAL DATA OVERVIEW

Voltage DC	2000 VDC
Ampere Range (A)	160 ... 400 A
Speed/Characteristic	aR
Product Size	122
Package	1 unit
Weight	1.81 kg

FEATURES & BENEFITS

- Extremely fast acting
- Extremely current limiting
- Very low I²t
- Worldwide acceptability
- Superior cycling ability

APPLICATIONS

- Protection of inverters
- Protection of motor drives
- Protection of UPS systems
- Protection of similar 2000V or less equipments
- Railway power and auxiliary circuits

STANDARDS

- IEC 60269-4 compliance



Protistor® size 122 aR

2000VDC

PRODUCT RANGE



D122SD20C400QF

Size 122 aR 2000VDC

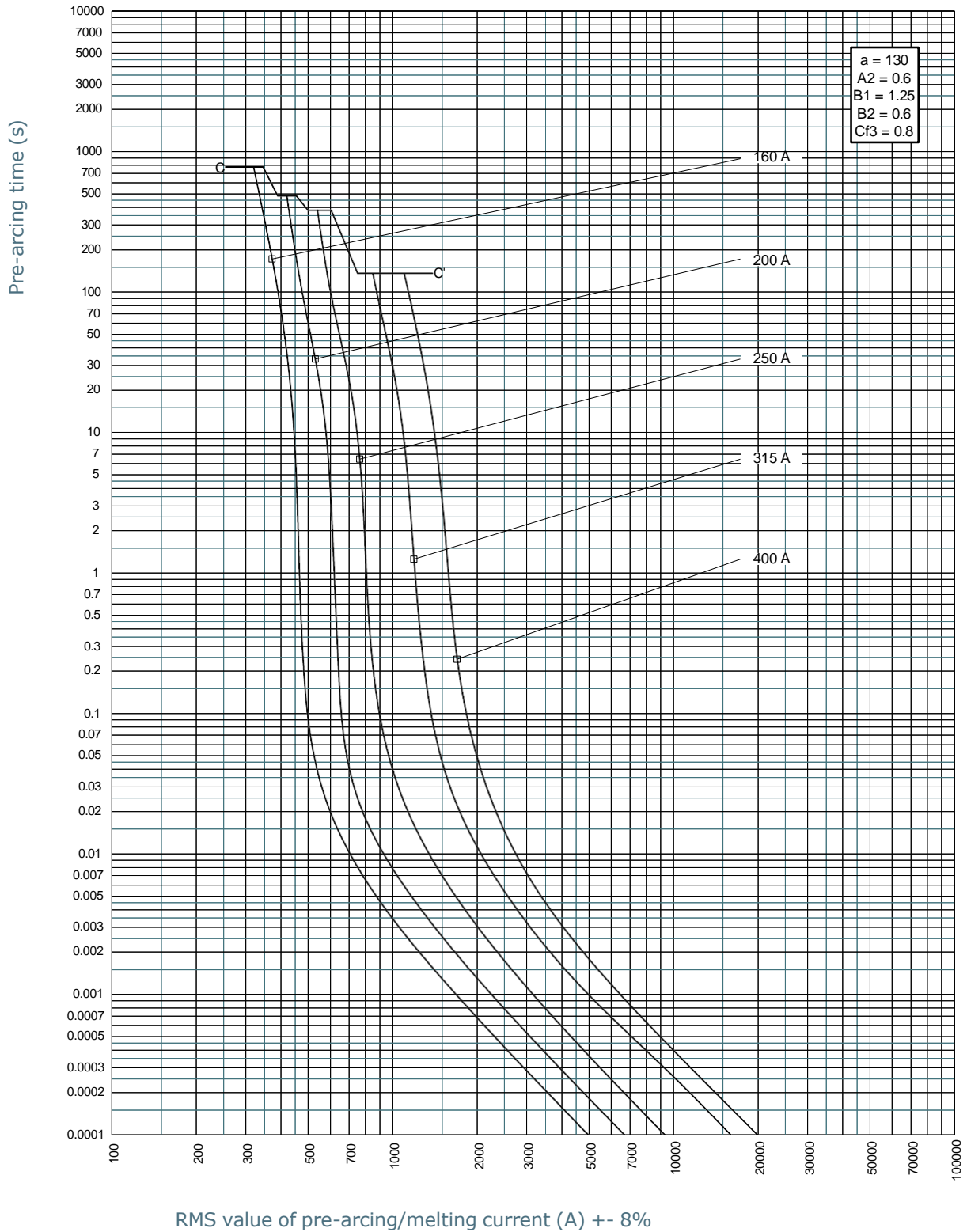
Catalog number	Item number	Rated voltage DC (IEC)	Rated current I_n	Rated breaking capacity DC	Max. total I^2t @ 1600V for L/R=15ms	Max. total I^2t @ 1600V for L/R=45ms	Power dissipation at I_n	Power dissipation at 0.8 I_n	Weight
D122SD20C160QF	D076639	2000 V	160 A	100 kA	15000 A ² s	25000 A ² s	100 W	52.5 W	1.81 kg
D122SD20C200QF	X079462	2000 V	200 A	100 kA	26000 A ² s	44000 A ² s	118 W	61.5 W	1.81 kg
D122SD20C250QF	Y079463	2000 V	250 A	100 kA	50000 A ² s	87000 A ² s	131 W	69 W	1.81 kg
D122SD20C315QF	Z079464	2000 V	315 A	100 kA	117000 A ² s	200000 A ² s	150 W	74 W	1.81 kg
D122SD20C350QF	J080186	2000 V	350 A	100 kA	-	-	175 W	-	1.81 kg
D122SD20C400QF	A079465	2000 V	400 A	100 kA	219000 A ² s	380000 A ² s	175 W	87 W	1.81 kg

Protistor® size 122 aR

2000VDC

TIME CURRENT CHARACTERISTIC CURVES

Size 122 aR 2000VDC

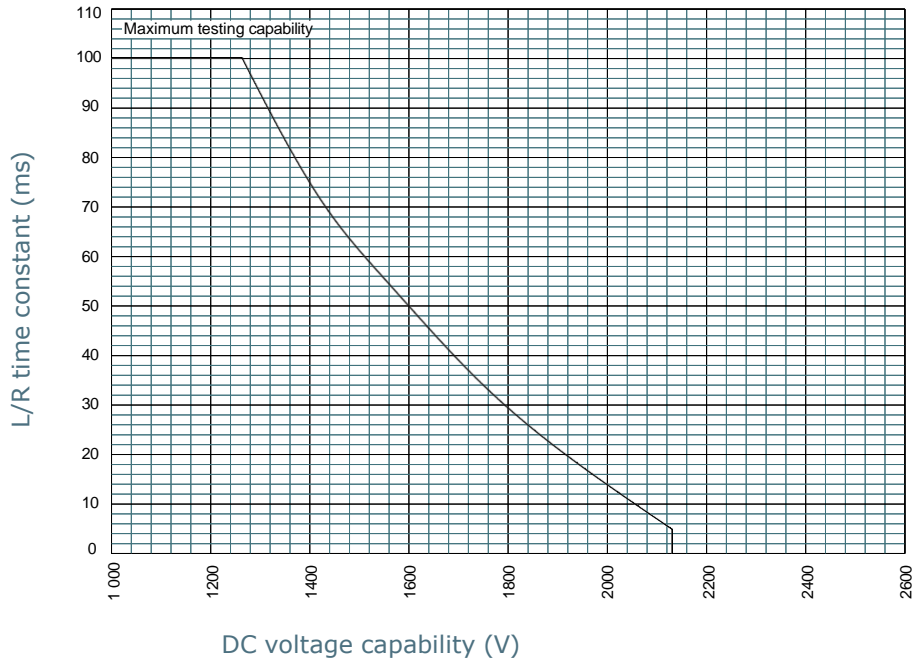


Protistor® size 122 aR

2000VDC

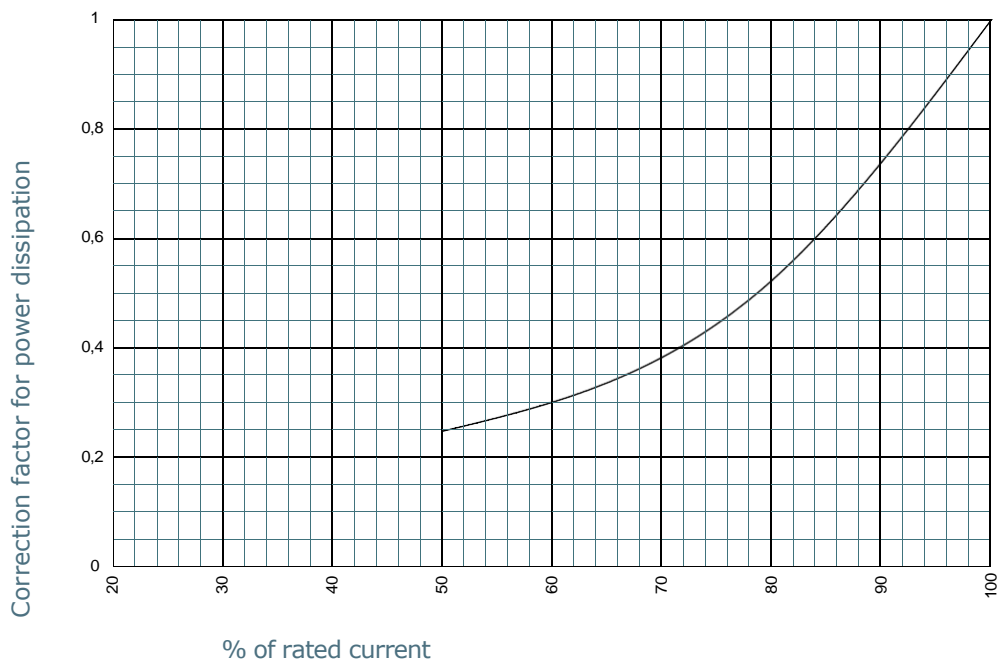
L/R TIME CONSTANT VS DC VOLTAGE CAPABILITY

Size 122 aR 2000VDC



POWER DISSIPATION

Size 122 aR 2000VDC

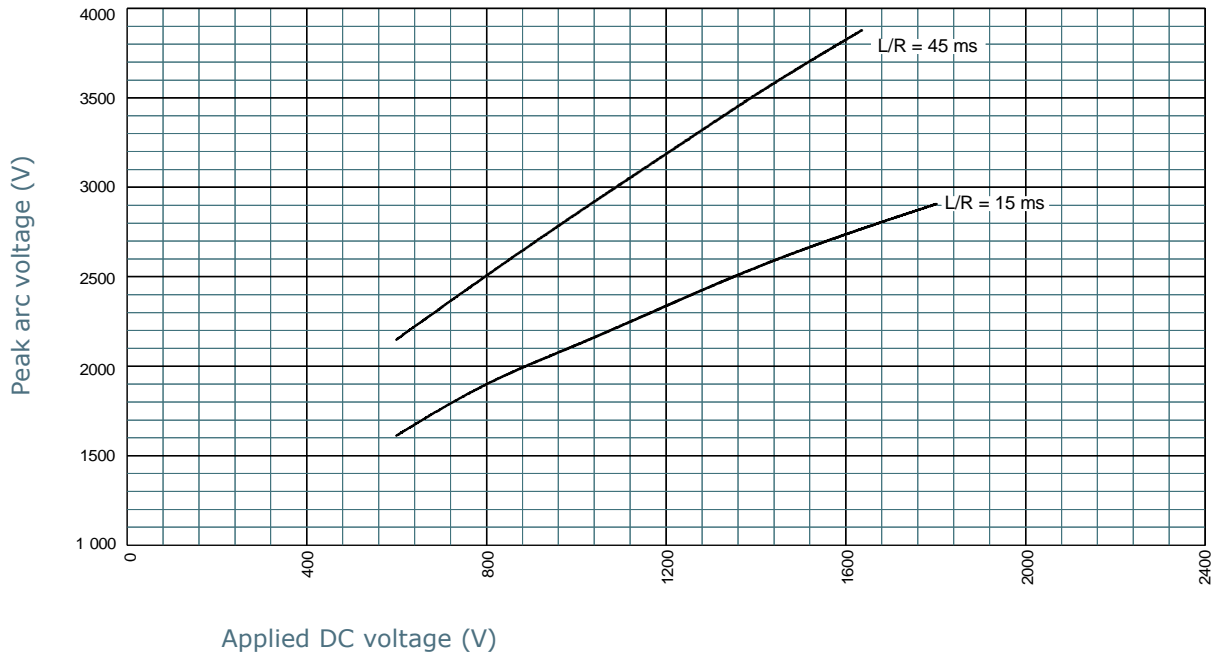


Protistor® size 122 aR

2000VDC

PEAK ARC VOLTAGE

Size 122 aR 2000VDC

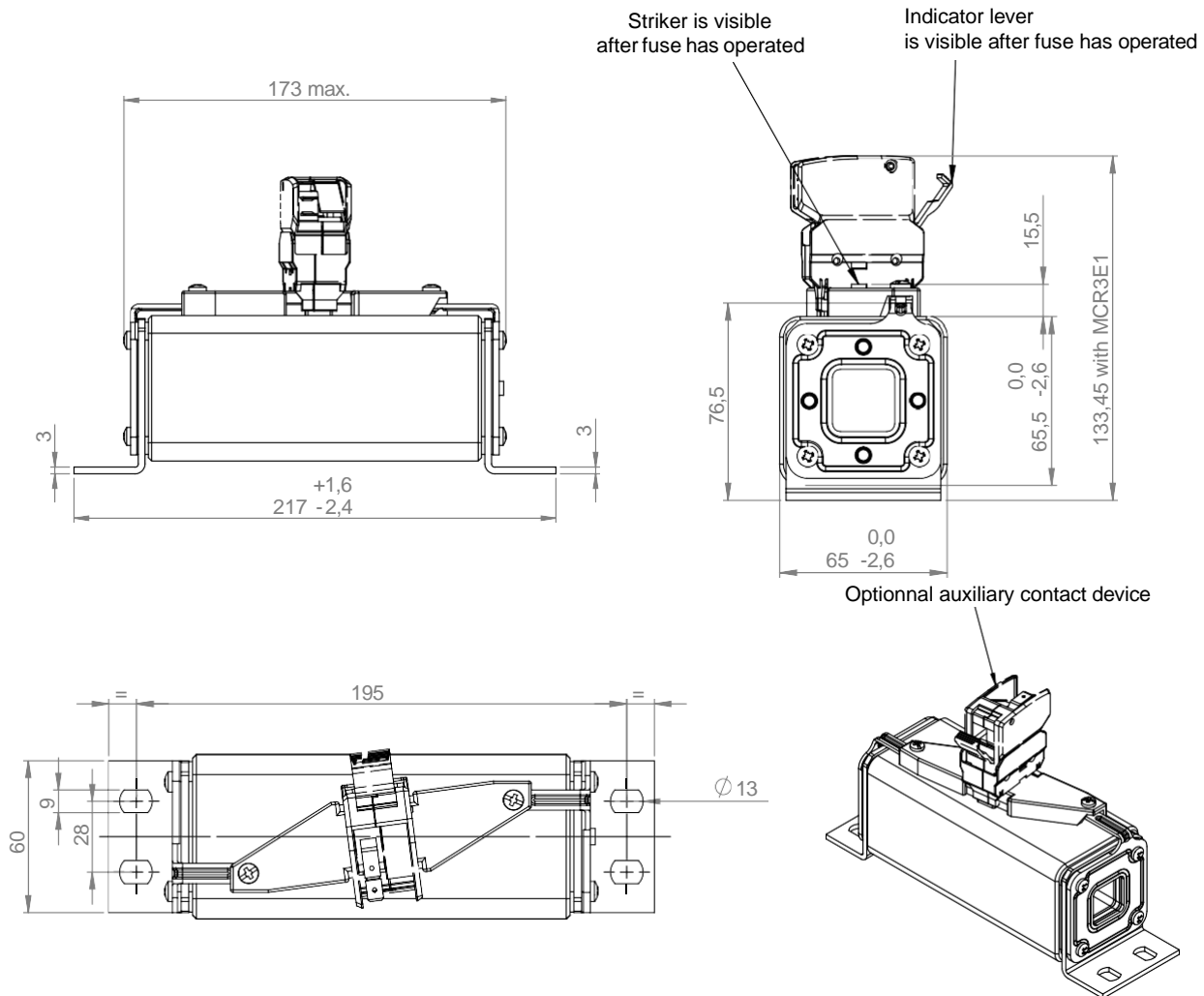


Protistor® size 122 aR

2000VDC

DIMENSIONS

Size 122aR 2000VDC



Dimensions in mm