


22260505	<b>DATA SHEET</b>	
Valid from: 21.12.2023	<b>AB-C3-M12Y-(L*)PUR-M12FA-B</b>	

## Product description

- Sensor/actuator cable, 3-pol, PUR halogen-free, black
- Straight Y-plug M12 on 2x angled M12-jack



## General characteristics

Number of pins	3
Ambient temperature	-25 °C to +90 °C (-13°F to 194°F) (plug / jack) -40 °C to +80 °C (-40°F to 176°F) (cable, fixed installation) -25 °C to +80 °C (-13°F to 176°F) (cable, movable installation)
Degree of protection	IP65 / IP67 / IP68
Coding	A-standard, PIN 2+4 bridged
Tightening torque	0,4 Nm (M12-connector)

## Variation

Article number	Description	Length [m]	Configuration
22260505	AB-C3-M12Y-0,3PUR-M12FA-B	0,3	straight - angled, angled
22260506	AB-C3-M12Y-0,6PUR-M12FA-B	0,6	straight - angled, angled
22260507	AB-C3-M12Y-1,0PUR-M12FA-B	1,0	straight - angled, angled
22260508	AB-C3-M12Y-2,0PUR-M12FA-B	2,0	straight - angled, angled

## Additional note

Data sheet also valid for variant lengths. Other lengths on request.

## Electrical properties


Rated voltage	250 V
Rated current	4 A
Overvoltage category	II
Pollution degree	3

## Mechanical properties

### Plug, jack

Inflammability class in accordance with UL 94	HB
Contact, material	CuSn
Contact carrier, material	TPU GF
Contact surface, material	Ni/Au
Knurl, material	Zinc diecasting, nickel-plated
Handle, material	TPU, flame retardant, self-extinguishing
Seal, material	NBR

Creator: THLE3/PDP Released: IVSE1/PDP	Document: DB22260505EN Version: 08	Page 1 of 3
---	---------------------------------------	-------------

22260505	<b>DATA SHEET</b>	
Valid from: 21.12.2023	<b>AB-C3-M12Y-(L*)PUR-M12FA-B</b>	


### Line

Cable construction	3 x AWG22/42
Signal line, construction	42 x 0,1 mm
Conductor cross-section	0,34 mm <sup>2</sup>
Conductor diameter including isolation	1,27 mm ± 0,02 mm
Cable outer diameter	4,4 mm ± 0,15mm
Insulation color	brown, blue, black
Sheath color	grey-black, RAL 7021
Number of bending cycles	10.000.000
Bending radius	44 mm
Traveling distance	10 m
Traveling speed	3 m/s
Acceleration	10 m/s <sup>2</sup>
Cable weight	23 kg/km
Outer coating, material	PUR
Wire insulation, material	PP
Insulation resistance	≥ 100 GΩ*km (at 20 °C)
Conductor resistance	≤ 58 Ω/km (at 20 °C)
Flame resistance	acc. to UL 758 / 1581 FT2 DIN EN 60332-2-2 (20 s)
Halogen-free	acc. to DIN VDE 0472 Part 815
Oil resistance	acc. to DIN EN 60811-2-1
Other resistances	resistant to hydrolysis and microbes good resistant to acids, lyes and solvents limited UV resistance acc. to DIN EN ISO 4892-2-A

### Standards

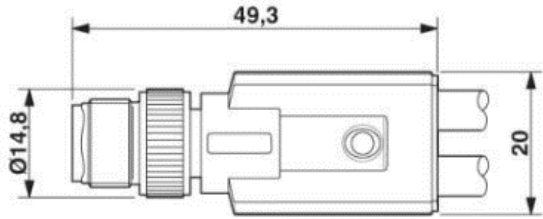
Product standard, M12 connector	IEC 61076-2-101
UL-Listed, E-File	E249137

Creator: THLE3/PDP Released: IVSE1/PDP	Document: DB22260505EN Version: 08	Page 2 of 3
---	---------------------------------------	-------------

22260505	<b>DATA SHEET</b>	
Valid from: 21.12.2023	<b>AB-C3-M12Y-(L*)PUR-M12FA-B</b>	

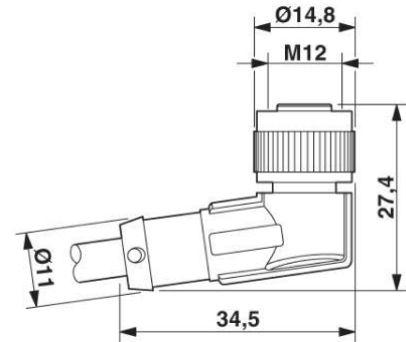
### Technical drawing

Dimensional drawing



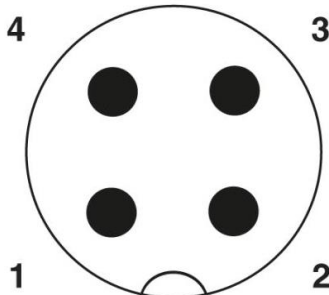
Plug Y, M12 x 1, straight

Dimensional drawing



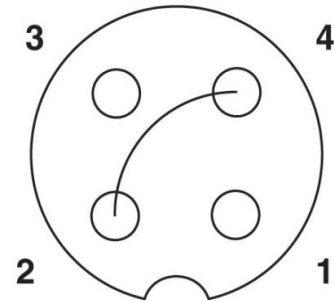
Jack M12 x 1, angled

Drawing



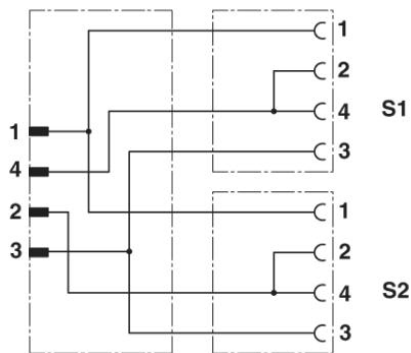
Pin assignment M12-plug Y, 4-pol, A-coding

Drawing



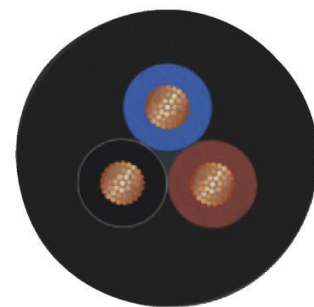
Pin assignment M12-jack, 4-pol, PIN 2+4 bridged, A-coding

Circuit diagram



Pin assignment between M12-plug Y and M12-jack

Wire cross section



### Application range

For increased mechanical load and rough operating conditions

### Note

Photographs are not true to scale and do not represent detailed images of the respective products.

Creator: THLE3/PDP Released: IVSE1/PDP	Document: DB22260505EN Version: 08	Page 3 of 3
---	---------------------------------------	-------------