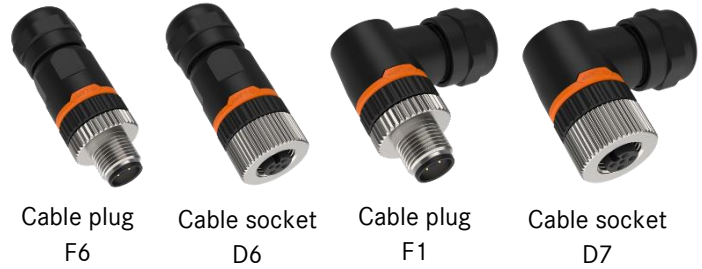


381166321	DATA SHEET	
Valid from: 04.03.2025	EPIC® SENSOR M12A 8-PIN SCREW	

Description:

- Circular connector for signal transmission
- Straight and angled version with cable aperture 4 mm - 8 mm
- High-quality gold-plated contacts



Product variants:

Article number	Type	Pole image	Cable diameter
381166321	Cable plug with male contacts (F6)	A-coded; 8 pole	4 mm - 8 mm
381166328	Cable socket with female contacts (D6)	A-coded; 8 pole	4 mm - 8 mm
381166337	Angled cable plug with male contacts (F1)	A-coded; 8 pole	4 mm - 8 mm
381166343	Angled cable socket with female contacts (D7)	A-coded; 8 pole	4 mm - 8 mm

General characteristic values:

Series	Sensor M12
Coding	A-coded
Execution	Cable plug/cable socket (angled or straight)
Pole image	8-PIN
Rated voltage	30 V
Rated impulse voltage	0.8 kV
Degree of soiling	3
Rated current in A	2 A
Insulation resistance	≥ 100 MΩ
Contact resistance	≤ 10 mΩ
Connection cross-section	Screw terminal contacts up to 1.0 mm ² (AWG 17)
Cable connection	4 mm - 8 mm
Protection class	IP 67 according to IEC 60529
Mating cycles	> 100
Temperature range	-25°C to +85°C
Tightening torque Contact:	0.3 Nm
Tightening torque cable clamp:	0.6 Nm
Tightening torque for connector locking	0.3 Nm

Materials/surface:

Contacts	Copper alloy
Contact surface	Au (gold)
Contact body material	PA

Standards:

Product standard	DIN EN 61076-2-101
------------------	--------------------

Authorisations:

In preparation

Creator: JUKL2/BU EPIC Released: THBO1/BU EPIC	Document: DB381166321EN Version: 02	Page 1 from 3
---	--	---------------

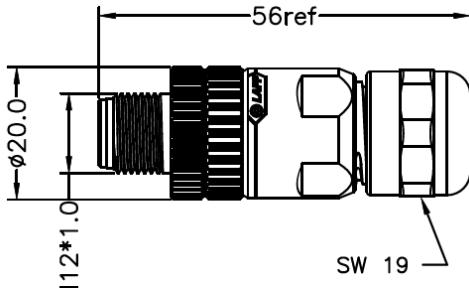
381166321	DATA SHEET	
Valid from: 04.03.2025	EPIC® SENSOR M12A 8-PIN SCREW	

Technical drawings

Cable plug F6

Technical drawing

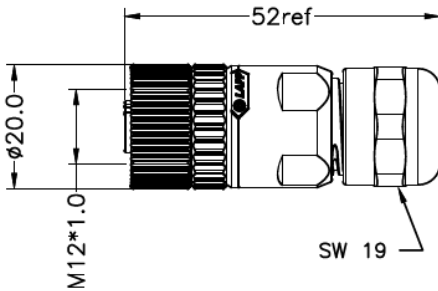
Pole image



Cable socket D6

Technical drawing

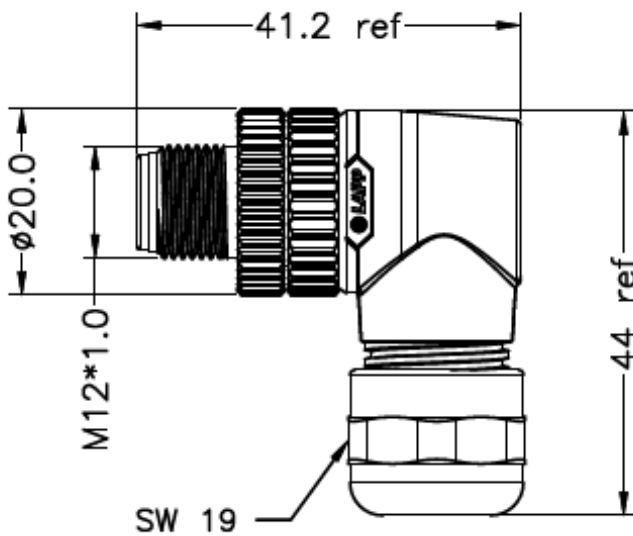
Pole image



Angled cable connector F1

Technical drawing

Pole image

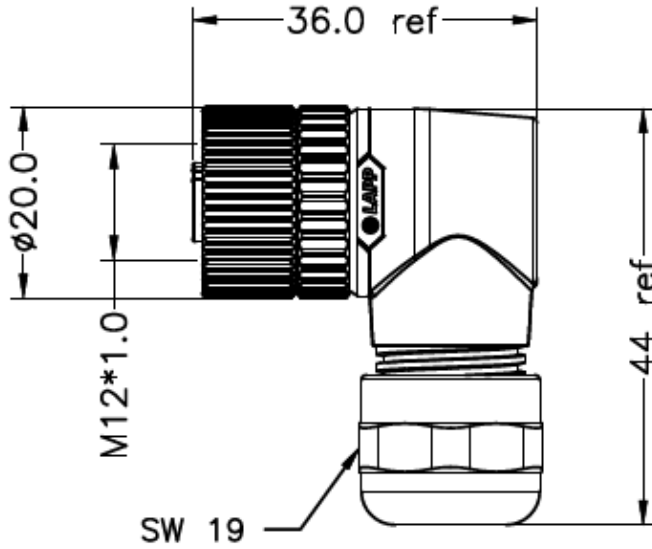


381166321	DATA SHEET	
Valid from: 04.03.2025	EPIC® SENSOR M12A 8-PIN SCREW	

Angled cable socket D7

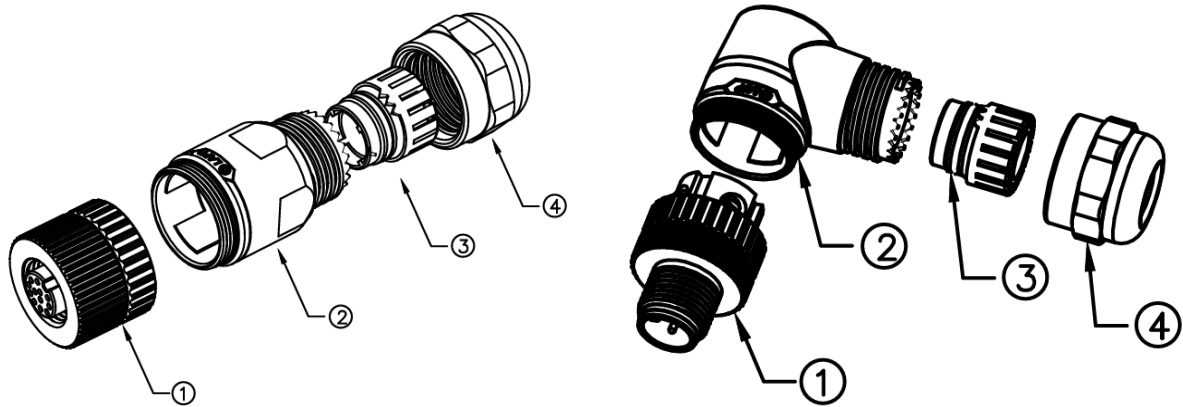
Technical drawing

Pole image



Assembly:

- Sheath length: 22 mm
- Stripping length: 5 mm
- 1 Insulator Tightening torque contacts: 0.2 Nm
- 2 housing Tightening torque to the insulator: 0.3 Nm
- 3 & 4 Cable clamping Tightening torque: 0.6 Nm



Areas of application:

Signal transmission for mechanical and plant engineering and servomotors

Note:

The photographs are not to scale and are not detailed images of the respective products. Further information can be found in the product standard.

Creator: JUKL2/BU EPIC Released: THBO1/BU EPIC	Document: DB381166321EN Version: 02	Page 3 from 3
---	--	---------------