


381166324	DATA SHEET	
Valid from: 13.05.2024	EPIC® DATA M12D 4-PIN SCREW	

Description:

- Circular connectors for signal and data transmission
- Straight and angled version with cable aperture 4 mm - 8 mm
- High-quality gold-plated contacts



Product variants:

Article number	Type	Pole image	Cable diameter
381166324	Cable plug with male contacts (F6)	D-coded; 4 pole	4 mm - 8 mm
381166331	Cable socket with female contacts (D6)	D-coded; 4 pole	4 mm - 8 mm
381166334	Angled cable plug with male contacts (F1)	D-coded; 4 pole	4 mm - 8 mm
381166340	Angled cable socket with female contacts (D7)	D-coded; 4 pole	4 mm - 8 mm

General characteristic values:

Series	Data M12
Coding	D-coded
Execution	Cable plug/cable socket (angled or straight) unshielded
Shield connection	without
Pole image	4-Pin
Rated voltage in V	250 V
Rated impulse voltage	2.5 kV
Degree of soiling	3
Rated current in A	4 A
Insulation resistance	≥100 MΩ
Contact resistance	≤ 10 mΩ
Transmission property	Up to CAT 5e
Connection cross-section	Screw terminal contacts up to 1.5 mm ² (AWG 16)
Cable connection	4 mm - 8 mm
Protection class	IP 67 according to IEC 60529
Mating cycles	>100
Temperature range	-25°C to +85°C
Tightening torque Contact:	0.3 Nm
Tightening torque cable clamp:	0.6 Nm
Tightening torque for connector locking	0.3 Nm

Materials/surface:

Contacts	Copper alloy
Contact surface	Au (gold)
Contact body material	PA


Standards:

Product standard	DIN EN 61076-2-101
------------------	--------------------

Authorisations:

In preparation

Creator: STKU3/BU EPIC Released: IVSE1/BU EPIC	Document: DB381166324EN Version: 01	Page 1 from 3
---	--	---------------

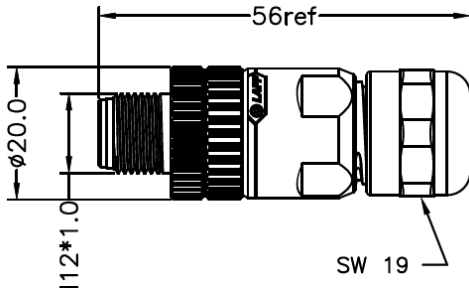
381166324	DATA SHEET	
Valid from: 13.05.2024	EPIC® DATA M12D 4-PIN SCREW	

Technical drawings

Cable plug F6

Technical drawing

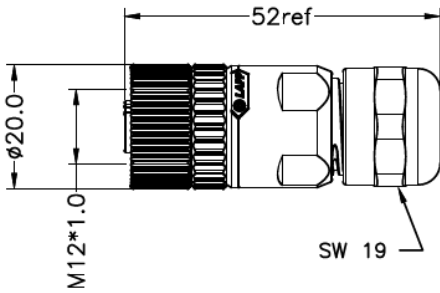
Pole image



Cable socket D6

Technical drawing

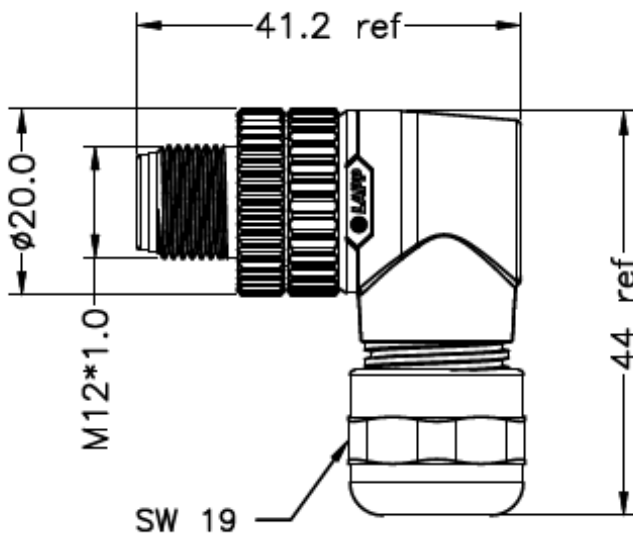
Pole image




Angled cable connector F1

Technical drawing

Pole image



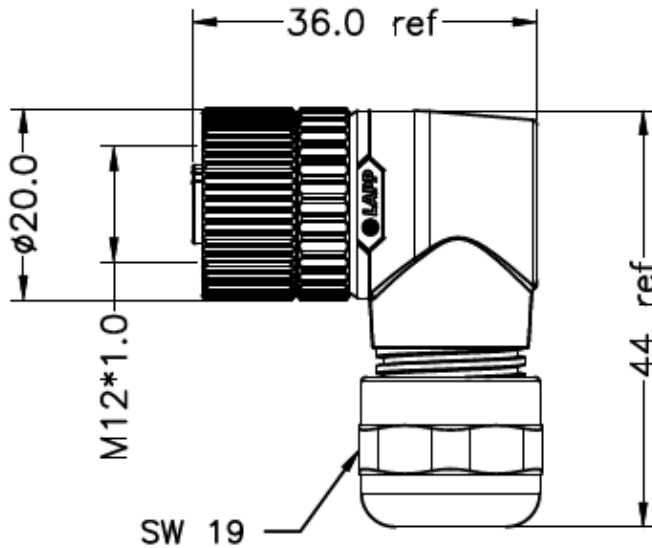
Creator: STKU3/BU EPIC Released: IVSE1/BU EPIC	Document: DB381166324EN Version: 01	Page 2 from 3
---	--	---------------

381166324	DATA SHEET	
Valid from: 13.05.2024	EPIC® DATA M12D 4-PIN SCREW	

Angled cable socket D7

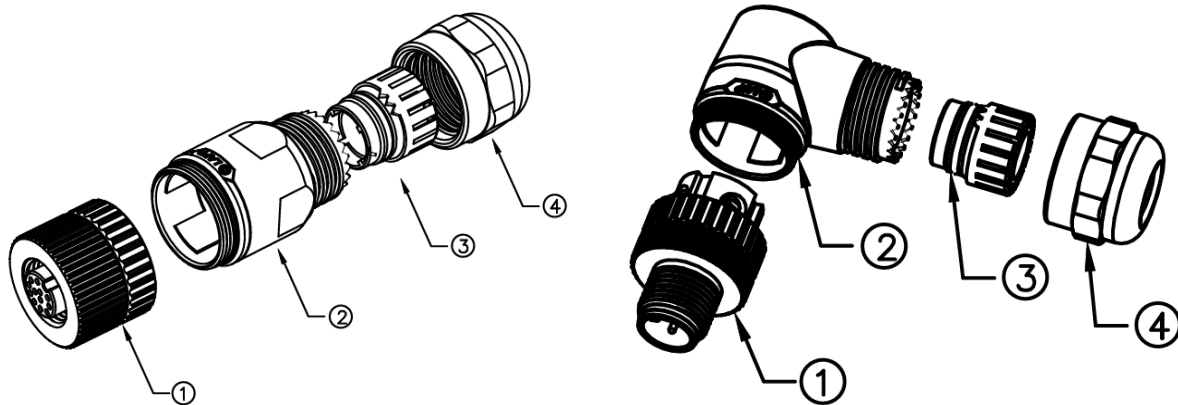
Technical drawing

Pole image



Assembly:

- Sheath length: 22 mm
- Stripping length: 5 mm
- 1 Insulator Tightening torque contacts: 0.3 Nm
- 2 housing Tightening torque to the insulator: 0.3 Nm
- 3 & 4 Cable clamping Tightening torque: 0.6 Nm



Areas of application:

Signal and data transmission for mechanical and plant engineering as well as servomotors

Note:

The photographs are not to scale and are not detailed images of the respective products. Further information can be found in the product standard.

Creator: STKU3/BU EPIC Released: IVSE1/BU EPIC	Document: DB381166324EN Version: 01	Page 3 from 3
---	--	---------------