


6180 6620	DATA SHEET	
Valid from: 05.09.2023	SILVYN® SPLIT PA6 / PP / PP UV	

The SILVYN® SPLIT is a split and divisible protective plastic conduit made of polyamide. It is suitable in all cases where beside high physical and chemical features also the possibility of an unproblematic subsequent installation is required. SILVYN® SPLIT gives a high mechanical protection by a filling level of 95%, without that individual core comes out by the smallest bending radius. Areas of application include construction of cars, machine construction, electrical engineering, industry, switchgear manufacture and ship building.



Material:

SILVYN® SPLIT PA6	Polyamide 6
SILVYN® SPLIT PP	Polypropylene
SILVYN® SPLIT PP UV	Polypropylene

Technical features:

Profile	parallel corrugated, splitted
Nominal width	NW 6 up to NW 100
Temperature range	SILVYN® SPLIT PA6: -45°C up to +120°C SILVYN® SPLIT PP: -40°C up to +135°C SILVYN® SPLIT PP UV: -40°C up to +105°C

Additional features:


Fire classification	V2 acc. to UL94
Free of halogen	SILVYN® SPLIT PA6
UV Resistant	SILVYN® SPLIT PP UV SILVYN® SPLIT PA6

Colour: Black

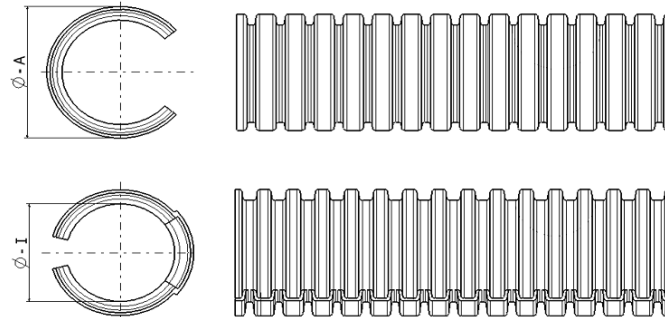
Suitable glands: SILVYN® SPLIT COV
SILVYN® SPLIT GMP-M
SILVYN® COS

For more information please see our current catalogue. Please do not hesitate to contact our laboratory if there are any questions regarding resistance against aggressive agents and special oil.

Creator: MAU1/PDP Released: DAMU1/PDP	Document: DB61806620EN Version: 06	Page 1 of 2
--	---------------------------------------	-------------

6180 6620	DATA SHEET	
Valid from: 05.09.2023	SILVYN® SPLIT PA6 / PP / PP UV	

Product drawing:



Dimension table:

Part No.	Nominal width NW	Diameter mm	
		ØI	ØA
SILVYN® SPLIT PA6			
6180 6621	6	6,3	10,0
6180 6620	10	8,8	13,5
6180 6631	11	11,0	16,1
6180 6630	14	13,2	18,7
6180 6641	16	16,0	21,5
6180 6640	20	20,2	25,7
6180 6650	23	23,9	31,3
6180 6651	29	27,3	36,0
6180 6660	37	32,5	41,9
6180 6670	45	43,0	54,2
6180 6671	70	66,5	79,8
6180 6672	100	88,0	103,5
SILVYN® SPLIT PP			
6180 6615	6	6,3	10,0
6180 6625	10	8,4	13,4
6180 6616	11	11,0	16,1
6180 6635	14	12,5	18,5
6180 6617	16	16,0	21,5
6180 6645	20	19,2	25,3
6180 6655	23	23,4	30,8
6180 6618	29	27,3	35,5
6180 6665	37	31,0	41,4
6180 6675	45	42,7	54,0
6180 6619	70	66,0	79,8
6180 6622	100	87,5	102,5
SILVYN® SPLIT PP UV			
6180 6100	6	6,3	10,0
6180 6110	10	8,4	13,4
6180 6120	11	11,0	16,1
6180 6130	14	12,5	18,5
6180 6140	16	16,0	21,5
6180 6150	20	19,2	25,3
6180 6160	23	23,4	30,8
6180 6170	29	27,3	35,5
6180 6180	37	31,0	41,4
6180 6190	45	42,7	54,0
6180 6200	70	66,0	79,8
6180 6210	100	87,5	102,5