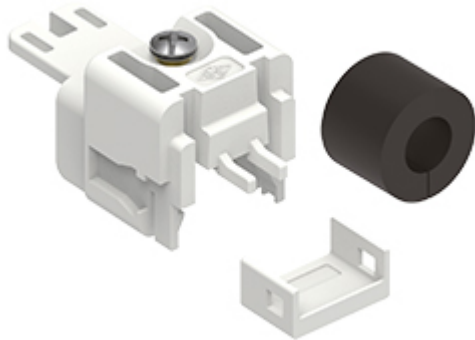


Part number

CJK 8M



Male RJ45 connector, CJK adapters series, size "21.21", with gasket, without connector

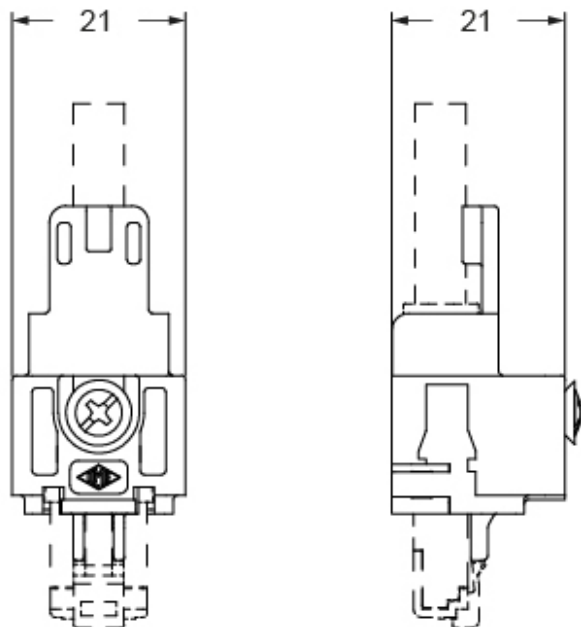
Product description		Material properties	
Product type	Insert	RoHs conformity	Compliant with exemption 6(c): copper alloy containing up to 4% lead by weight
Series	CJK adapters	China RoHs - EFUP	50
Connection type	RJ45	REACH SVHC substances	Yes Lead
Gender	Male	SCIP number	5a97d67d-dd49-45fe-94c0-411f951ef5ee
N. of poles	1 seat for RJ45 connector	Approvals / Standards	
Size	Size "21.21"	UL	ECBT2
Specification	With gasket RJ45, universal adapter for patch cord	cUL	ECBT8
Further technical details		General ordering information	
Mating cycles	≥ 500	EAN13 code	8015747264235
Insulation resistance	≥ 10 GΩ	eCl@ss 8.1	27440205
Weight	10,50 g	ETIM 7.0	EC000438
Operating temperature range (min, max)	-40°C...+70°C	Packaging Information	
UL 94 flammability rating	V-0	Packaging length	175,00 mm
		Packaging height	195,00 mm
		Packaging width	260,00 mm
		Packaging weight	1,25 kg
		Packaging volume	8,87 dm ³
		Packaging description	Carton box
		Packaging quantity	100 Pcs
		Packaging EAN code	8015747264259
		Sub-packaging description	Plastic bag
		Sub-packaging quantity	1 Pcs
		Sub-packaging EAN barcode	8015747268875

Part number

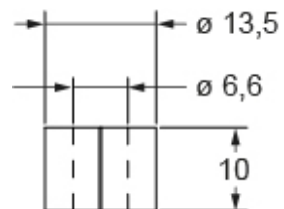
CJK 8M



Catalogue drawings



Catalogue drawings



Notes

Dimensions shown in mm are not binding and may be changed without notice.
