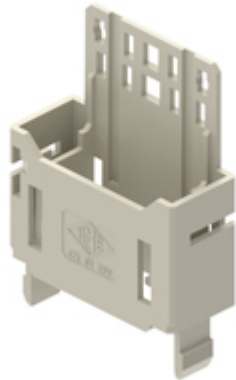


Part number

CX 01 TPF



Insulating fixed MIXO holder for mounting on DIN EN 60715 rail or with screws, COB panel supports series, for 1 MIXO module

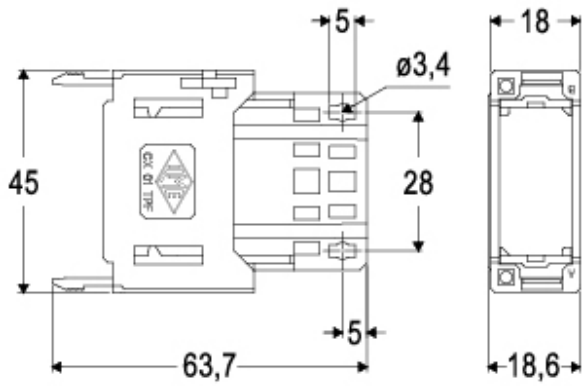
Product description		Material properties	
Product type	MIXO holder DIN/SCREWS	Main material	Polycarbonate (PC)
Series	COB panel supports	Colour	RAL 7032 grey
Size	1 module	RoHs conformity	Compliant
Technical data		China RoHs - EFUP	E
IP degree of protection	IP20	REACH SVHC substances	No
Further technical details		General ordering information	
Mating cycles	≥ 500	EAN13 code	8015747301831
Weight	8,95 g	eCl@ss 8.1	27440206
Operating temperature range (min, max)	-40°C...+125°C	ETIM 7.0	EC002312
UL 94 flammability rating	V-0	Packaging Information	
		Packaging weight	0,17 kg
		Packaging description	Carton box
		Packaging quantity	10 Pcs
		Packaging EAN code	8015747046763
		Sub-packaging length	116,00 mm
		Sub-packaging height	113,00 mm
		Sub-packaging width	142,00 mm
		Sub-packaging weight	0,02 kg
		Sub-packaging volume	1,86 dm ³
		Sub-packaging description	Plastic bag
		Sub-packaging quantity	1 Pcs
		Sub-packaging EAN barcode	8015747301862

Part number

CX 01 TPF



Catalogue drawings



Notes

Dimensions shown in mm are not binding and may be changed without notice.