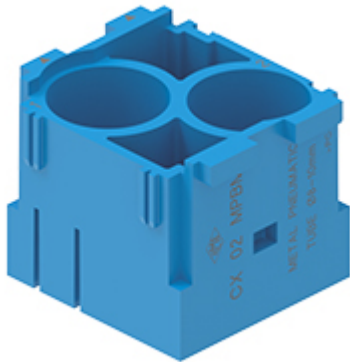


Part number

CX 02 MPBM



Male modular insert, Mixo series, for pneumatic contacts, 2 module, with 2 seats for tube diameter 8,0-10 mm

Product description	
Product type	Modular insert
Series	Mixo
Connection type	Pneumatic
Gender	
N. of poles	2 poles
Size	2 modules
Specification	With 2 seats for tube diameter 8,0-10 mm
Further technical details	
Mating cycles	≥ 500 ≥ 10.000 (HNM MIXO frames and enclosures)
Insulation resistance	≥ 10 GΩ
Weight	9,50 g
Operating temperature range (min, max)	-40°C ... +80°C
UL 94 flammability rating	V-0

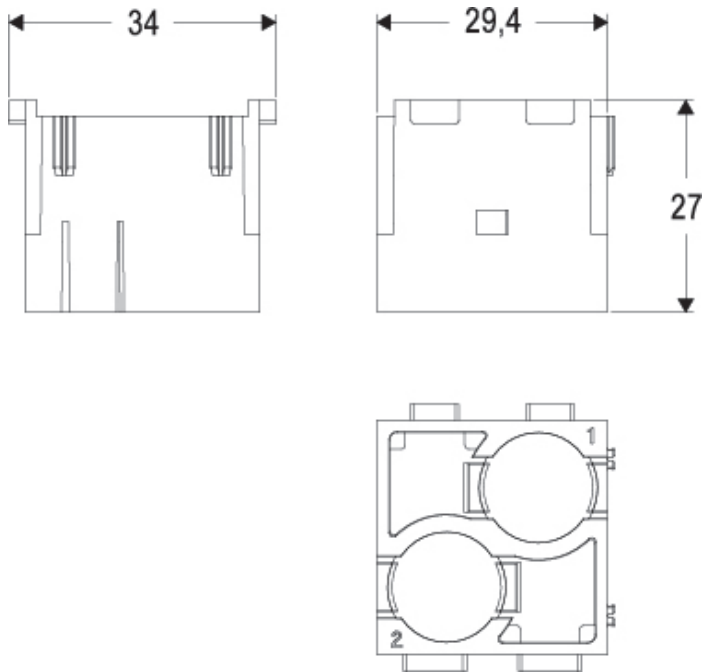
Material properties	
Main material	Polycarbonate (PC)
Colour	RAL 5015 blue
RoHs conformity	Compliant
China RoHs - EFUP	E
REACH SVHC substances	No
General ordering information	
EAN13 code	8015747193382
eCl@ss 8.1	27440205
ETIM 7.0	EC000438
Packaging Information	
Packaging length	350,00 mm
Packaging height	105,00 mm
Packaging width	145,00 mm
Packaging weight	0,84 kg
Packaging volume	5,33 dm ³
Packaging description	Carton box
Packaging quantity	60 Pcs
Packaging EAN code	8015747193399
Sub-packaging length	35,00 mm
Sub-packaging height	40,00 mm
Sub-packaging width	155,00 mm
Sub-packaging weight	0,07 kg
Sub-packaging volume	0,22 dm ³
Sub-packaging description	Carton tray
Sub-packaging quantity	5 Pcs
Sub-packaging EAN barcode	8015747193412

Part number

CX 02 MPBM



Catalogue drawings



Notes

Warnings:

1) CRM/F CX code pins and guides must be used for pneumatic contacts modules. These pins also provide coding if pneumatic contacts modules are used exclusively.

Use of units for pneumatic contacts

- pneumatic contacts for pressure values up to 10 bar, for use with clean and dry compressed air
- possibility of using tubes with different diameters in the same modular unit
- female contacts with or without closing valve
- working temperature range - 40 °C ÷ + 80 °C
- use of tubes with Ø 8.0 and/or 10 mm, and possible replacement of tubes with assembled units. Tube with

• ID inner Ø (push-over attachment of tubes over barbed straight contacts):

CX xx MPF/M, CX xx MPV

• OD outer Ø (push-in attachment of tubes to the quick-fitting contacts):

CX xx MPQF/M, CX xx MPAV, CX xx MPAF/M, CX xx MPQV

Dimensions shown in mm are not binding and may be changed without notice.